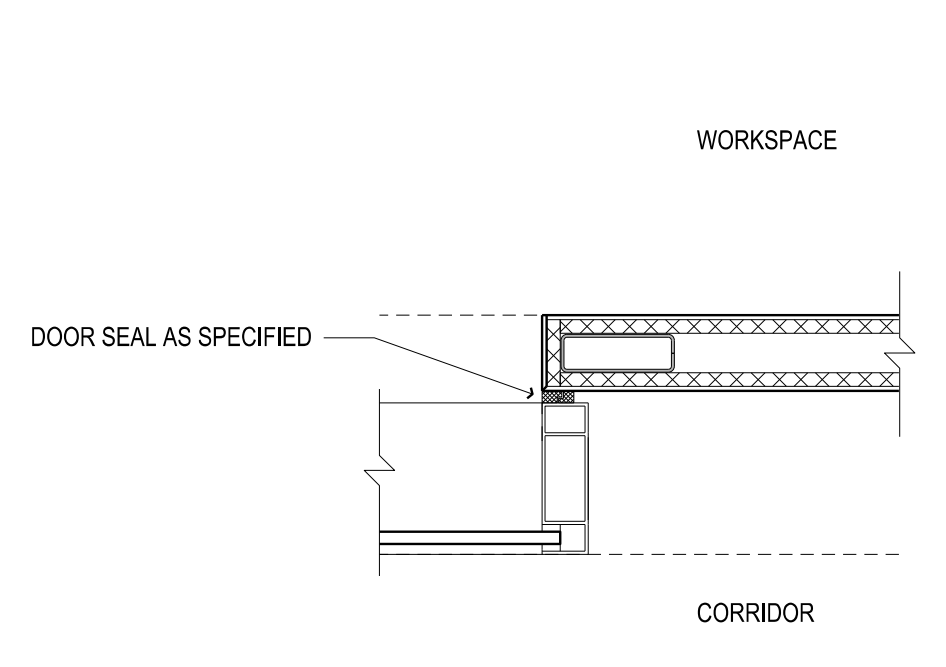
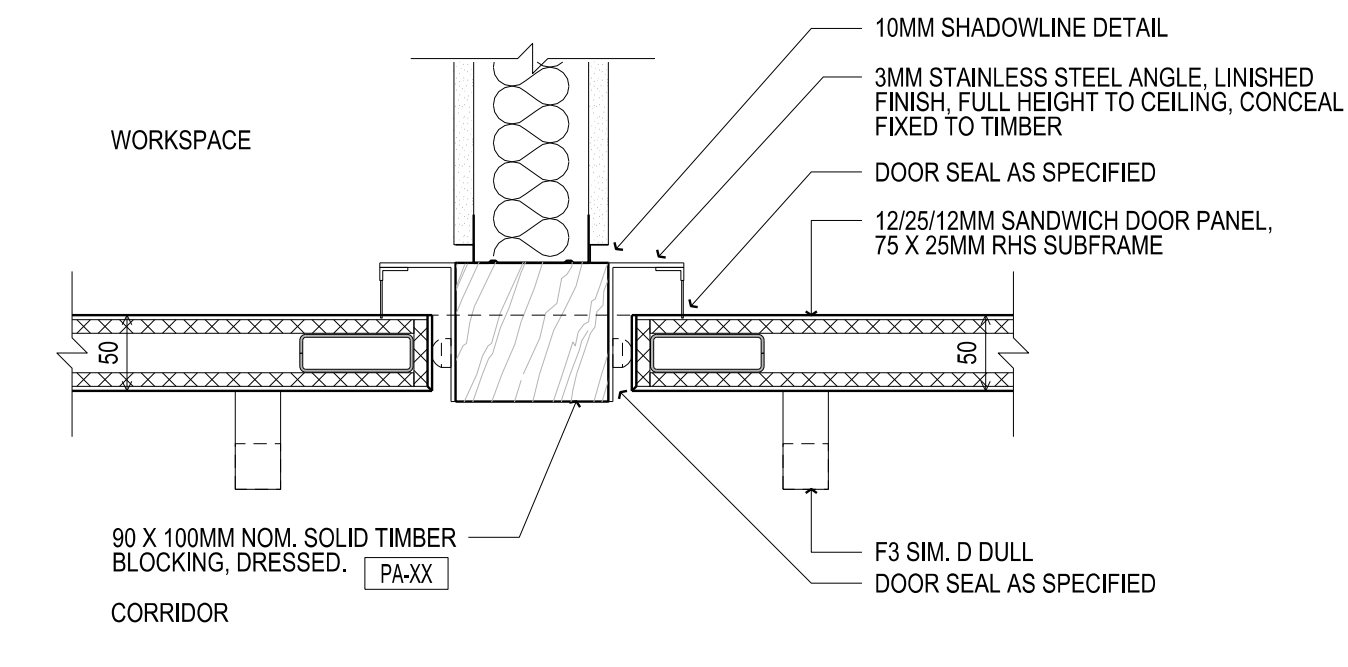


CONTRACTORS SHALL VERIFY JOB DIMENSIONS BEFORE ANY JOB COMMENCES. ALL SHOP DRAWINGS SHALL BE SUBMITTED TO THE SUPERINTENDENT AND MANUFACTURER SHALL NOT COMMENCE FROM THE RETURN OF DRAWINGS SHOWING BY THE CONSULTANT. DIMENSIONS SHALL TAKE PRECEDENCE OVER SCALES. THIS DRAWING SHALL BE READ IN CONJUNCTION WITH ALL RELEVANT CONTRACT SPECIFICATIONS AND DRAWINGS COPYRIGHT OF THIS DRAWING IS VESTED IN HANDLE.

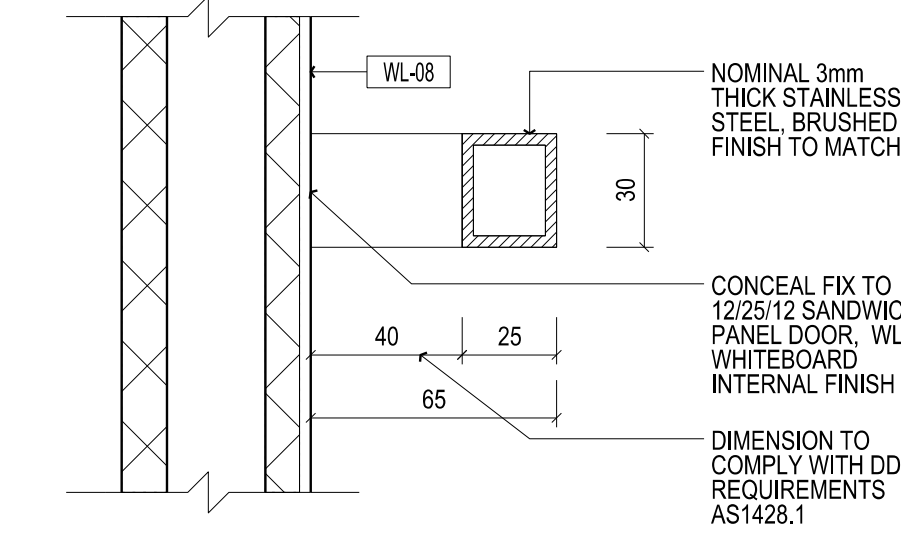
General Notes



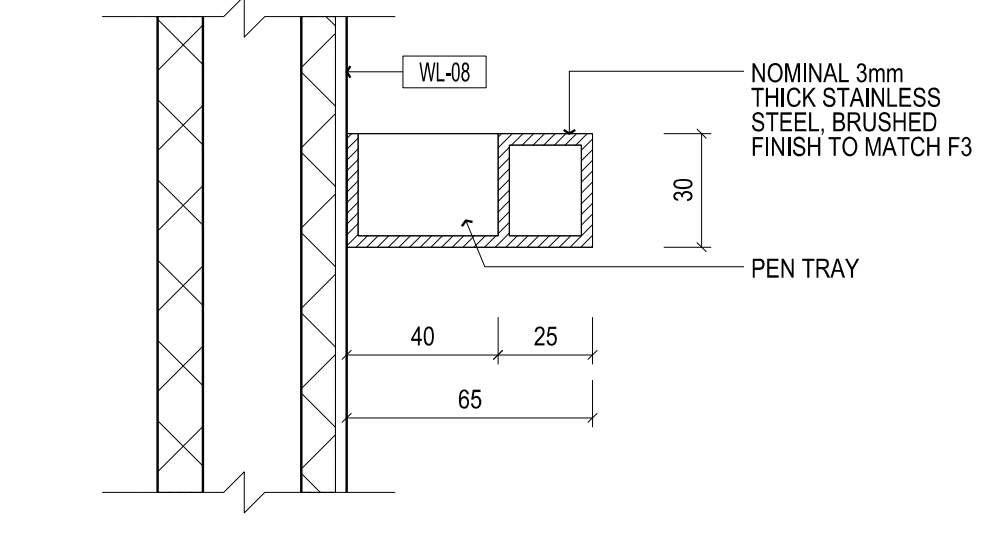
01 PLAN DETAIL - DOOR TYPE 14
SCALE 1:5



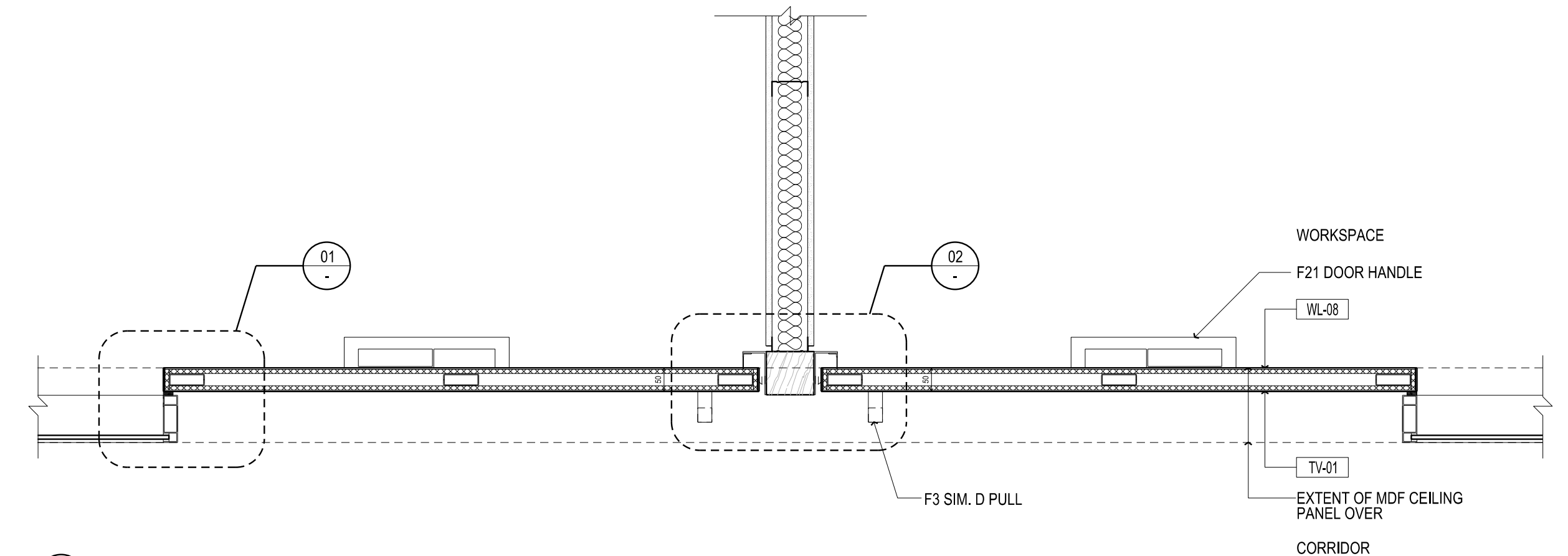
02 PLAN DETAIL - DOOR TYPE 14
SCALE 1:5



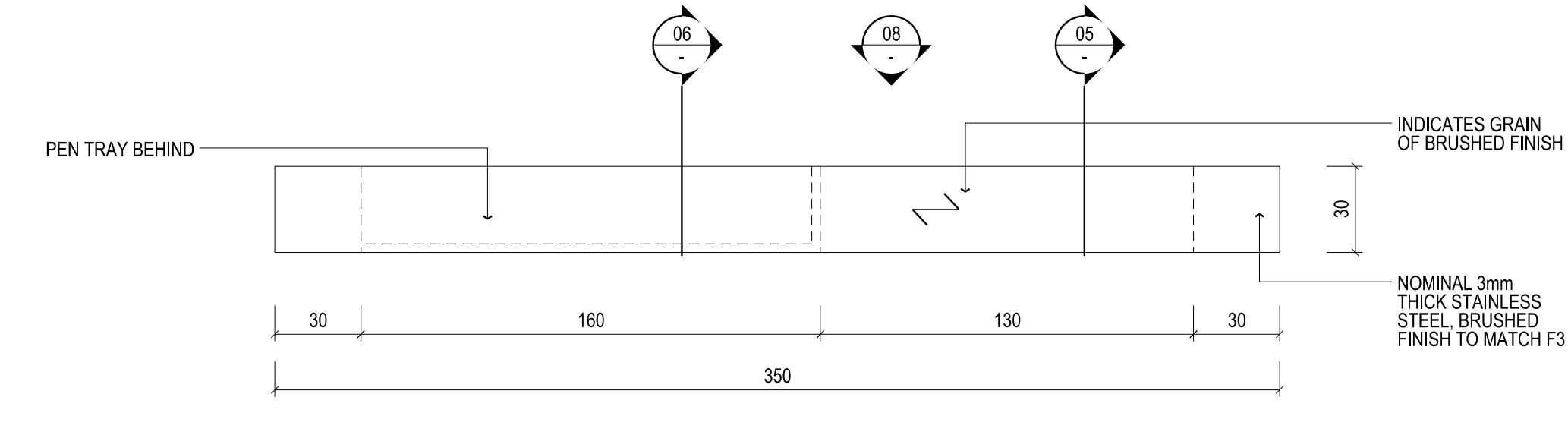
03 SECTION - F21 HANDLE
SCALE 1:2



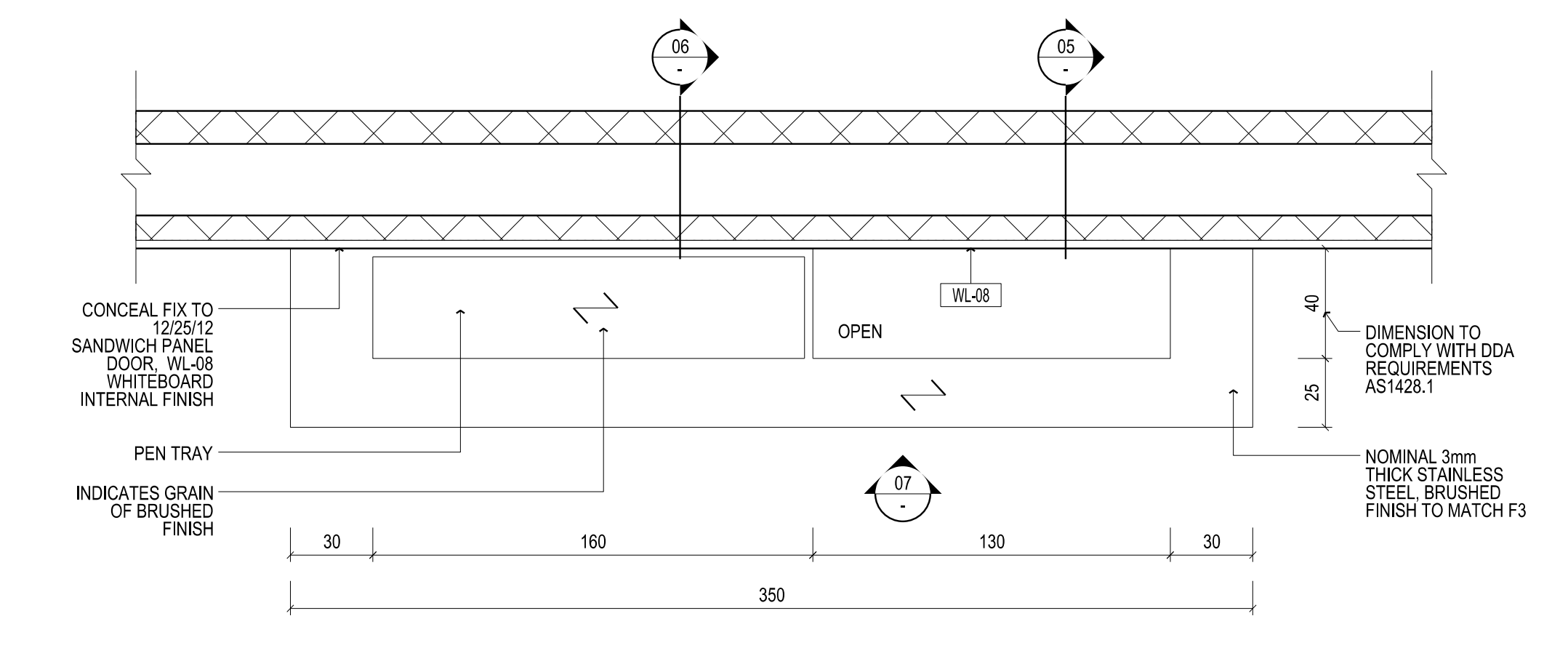
04 SECTION - F21 HANDLE
SCALE 1:2



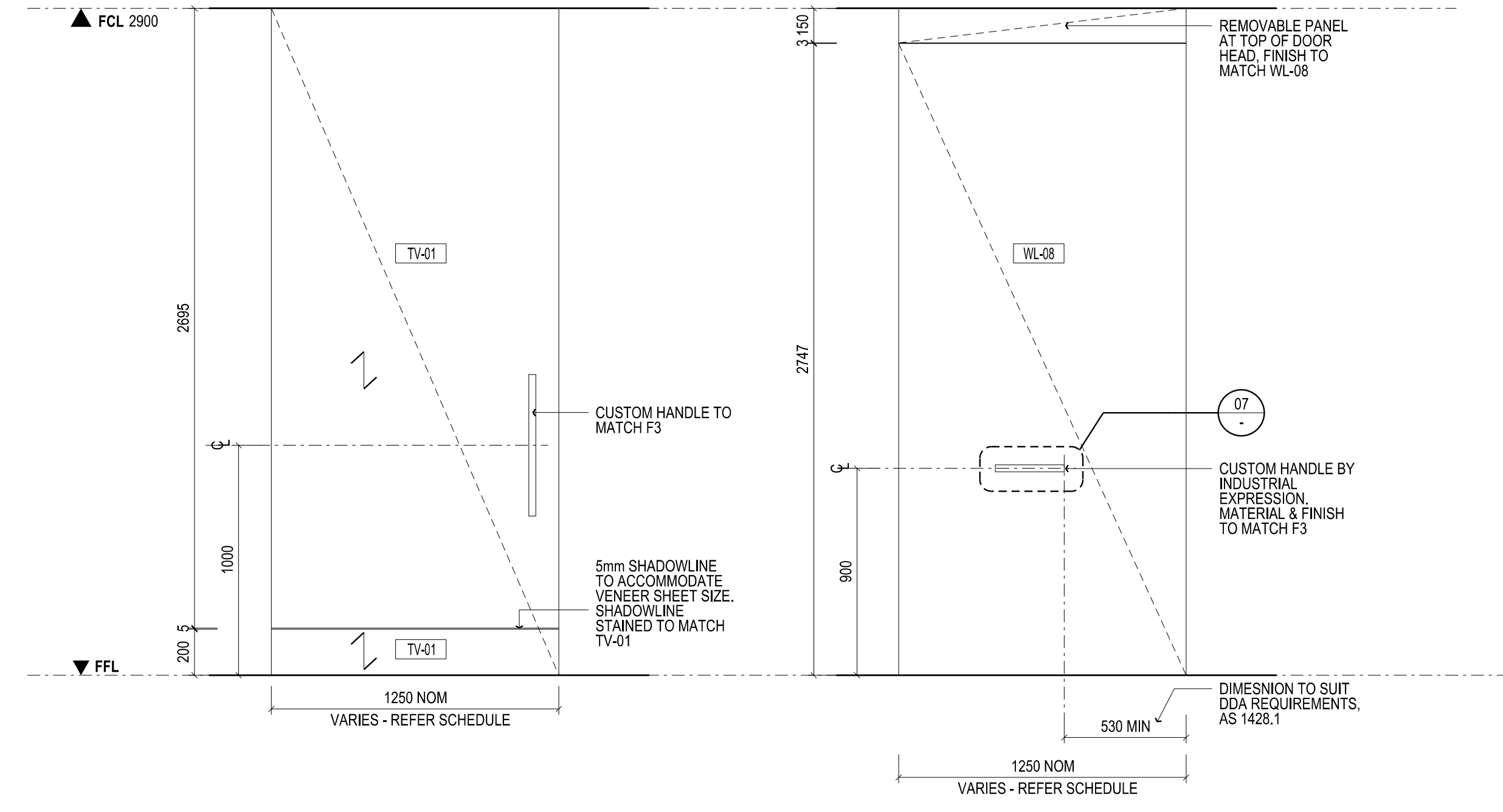
05 PLAN - DOOR TYPE 14
SCALE 1:10



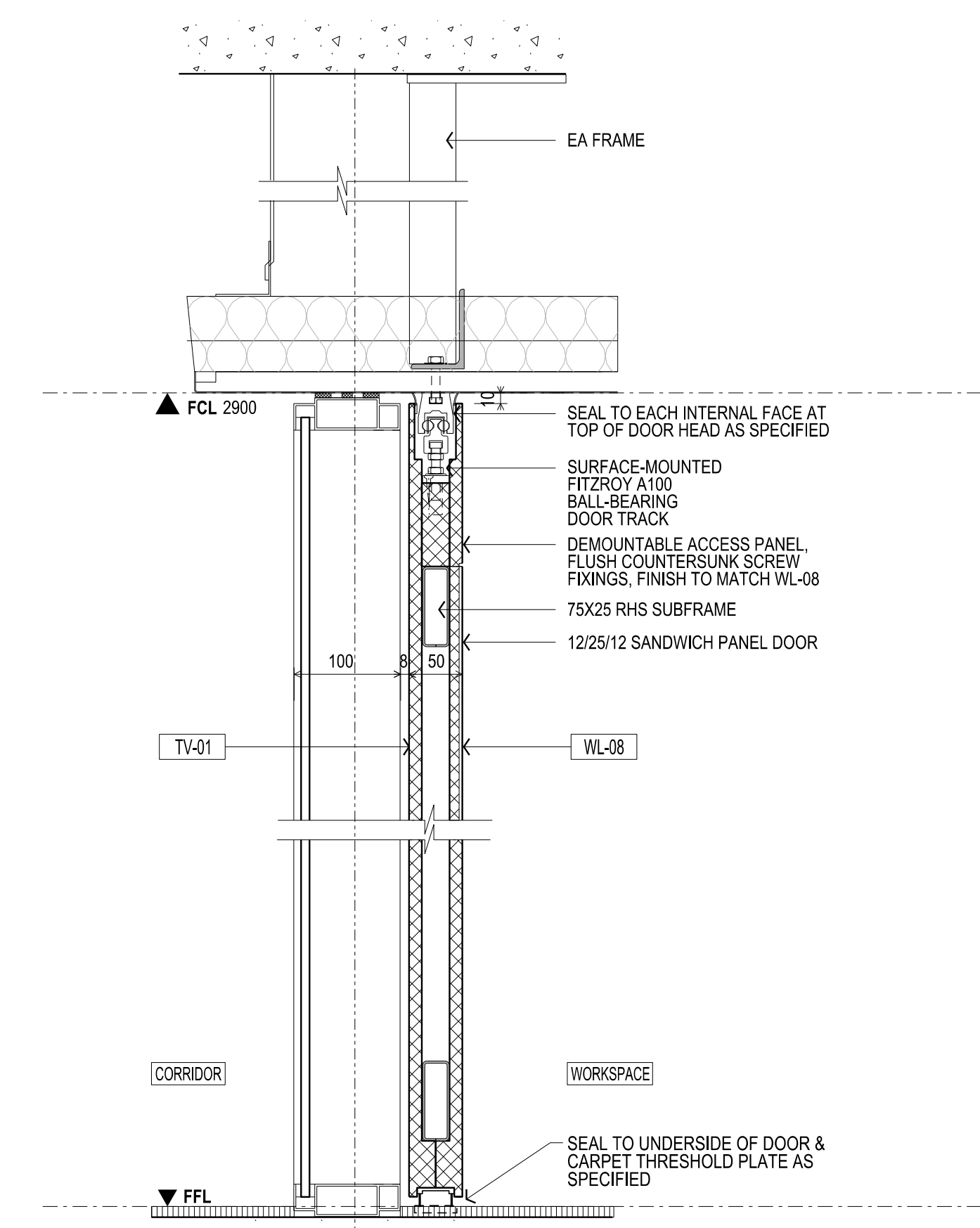
06 FRONT ELEVATION - F21 HANDLE
SCALE 1:2



07 PLAN - F21 HANDLE
SCALE 1:2



08 ELEVATION - DOOR TYPE 14
SCALE 1:20



09 SECTION DETAIL - DOOR TYPE 14
SCALE 1:5

Rev	Issue	Revision Description	And	Date
A	SG	ISSUED FOR CONSTRUCTION	-	10.01.14
01	SG	100% CO - TENDER ISSUE	-	07.09.12



NADAAA
 NADAAA
 1520 Washington Street No.2 Boston Massachusetts 02115 USA
 Telephone +1 617 442 8232 Facsimile +1 688 442 1417 Email nad@nadaaa.com

John Wardle Architects
 25 Rokeby Street, Collingwood, Victoria 3066 Australia
 Tel : +61 3 8662 0400 www.johnwardlearchitects.com
 © 2012 John Wardle Architects ABN 83 006 814 268

Client **University of Melbourne Parkville Campus**
 Project **Faculty of Architecture Building and Planning**
 Title **DOOR DETAILS**

Project No. 0913	Scale 1:50 @ A0
Drawing No. AR7211	Revision A
Date Sep 2012	Dwn - Co-Ord - Chk -

FILENAME - \$FILES
FOR CONSTRUCTION